



Roof Diagram

# 316 WINDING WOODS TRAIL, WOODSTOCK, GA, USA

---

Order #: 513845

Insured name: Sample





## Roof Summary

Roof area	Roof sq	Hip length	Ridge length	Rake edge length	Valley length	Eave edge length	Flashing length	Step flashing
2026.68 ft <sup>2</sup>	20.27 sq <sup>2</sup>	0 ft	72.33 ft	167.5 ft	82.23 ft	80.5 ft	13.5 ft	18.79 ft

\* Only top 4 values shown, reference roof pitch page for all values

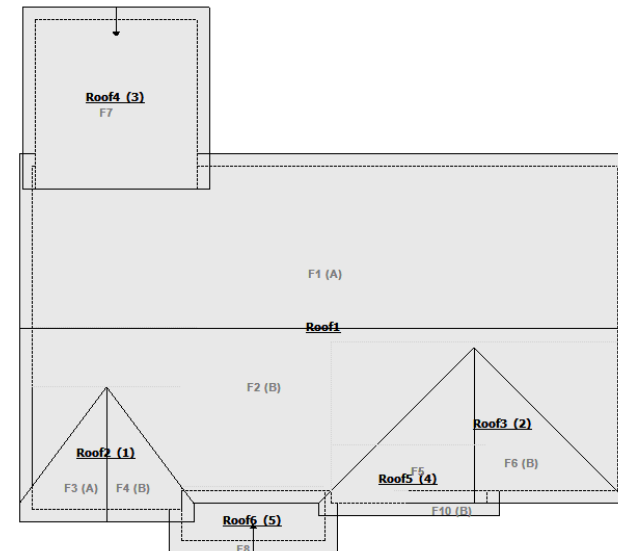
### \* Waste Factor Calculation

5%	10%	15%	20%	25%
21.33	22.33	23.33	24.33	25.66

# 316 WINDING WOODS TRAIL, WOODSTOCK, GA, ...

- \* Rakes are roof edges with a slope (not level).
- \* Eaves are roof edges that do not have a slope and are level.
- \* Squares are rounded up to the 1/3 of a square

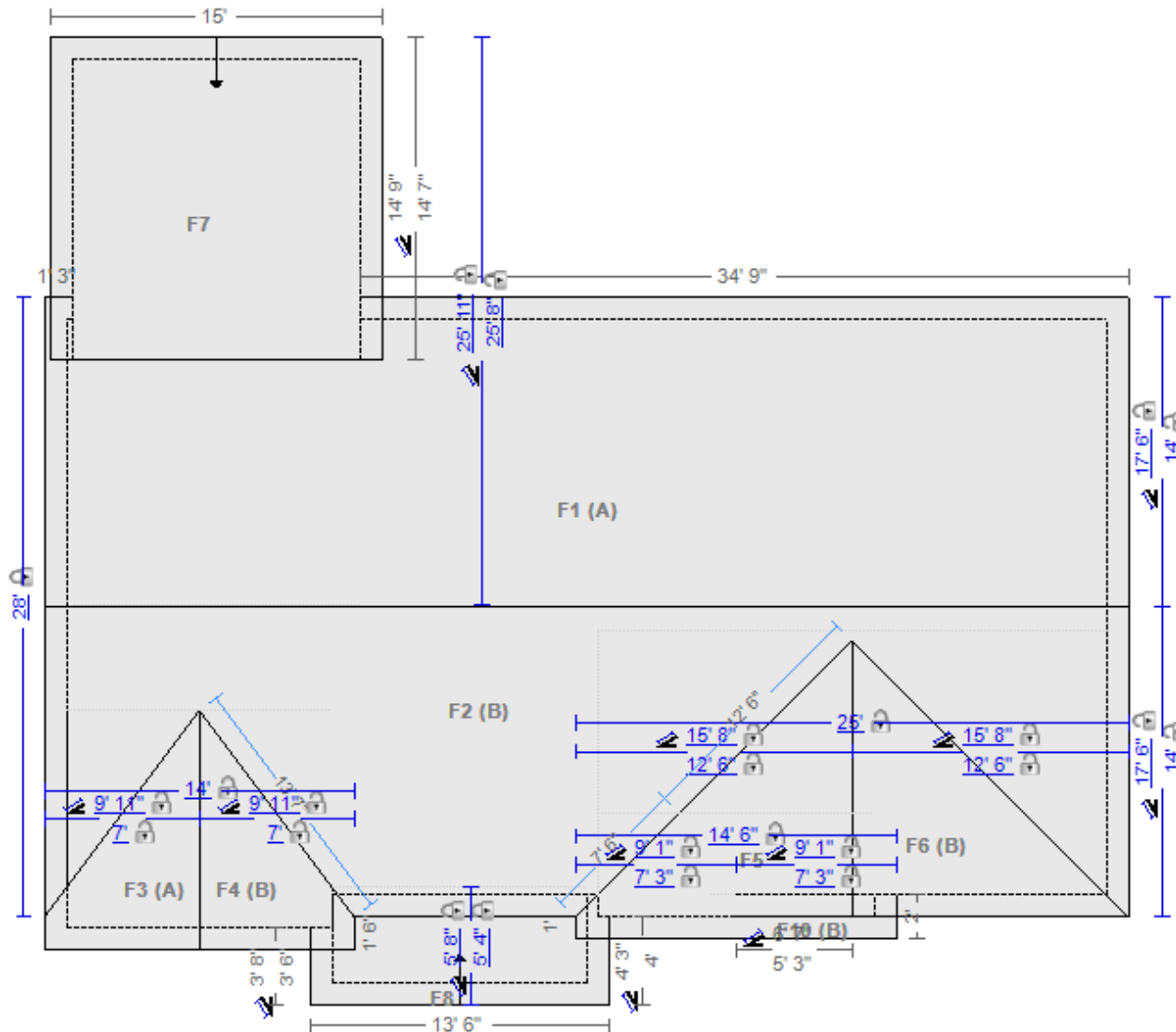
The waste factors provided with this Ridge Top report are meant to be a guide based on the total square count coupled with the complexity of the roof structure. The provided waste factors can vary on each roof depending on the contractor's installation methods and procedures, as well as other factors. Ultimately the final waste quantities on each project are dependent upon the experience level and techniques utilized by the roofing crew.





316 WINDING WOODS TRAIL,  
WOODSTOCK, GA, USA

### Roof Summary Measurement







## Annotations

316 WINDING WOODS TRAIL,  
WOODSTOCK, GA, USA

Level	FACE	SQ FT	# SQs	Slope - Rise / 12
Main Level	F1	811.41	8.11	9
Main Level	F2	580.52	5.81	9
Main Level	F3	61.05	0.61	12
Main Level	F4	61.05	0.61	12
Main Level	F5	106.72	1.07	9
Main Level	F6	97.66	0.98	9
Main Level	F7	221.11	2.21	1.75
Main Level	F8	69.04	0.69	4
Main Level	F10	18.13	0.18	9
Main Level	Estimated Total:	2026.68	20.27	